

## Sectional Drawing of HVP pumps

### Shaft sealing

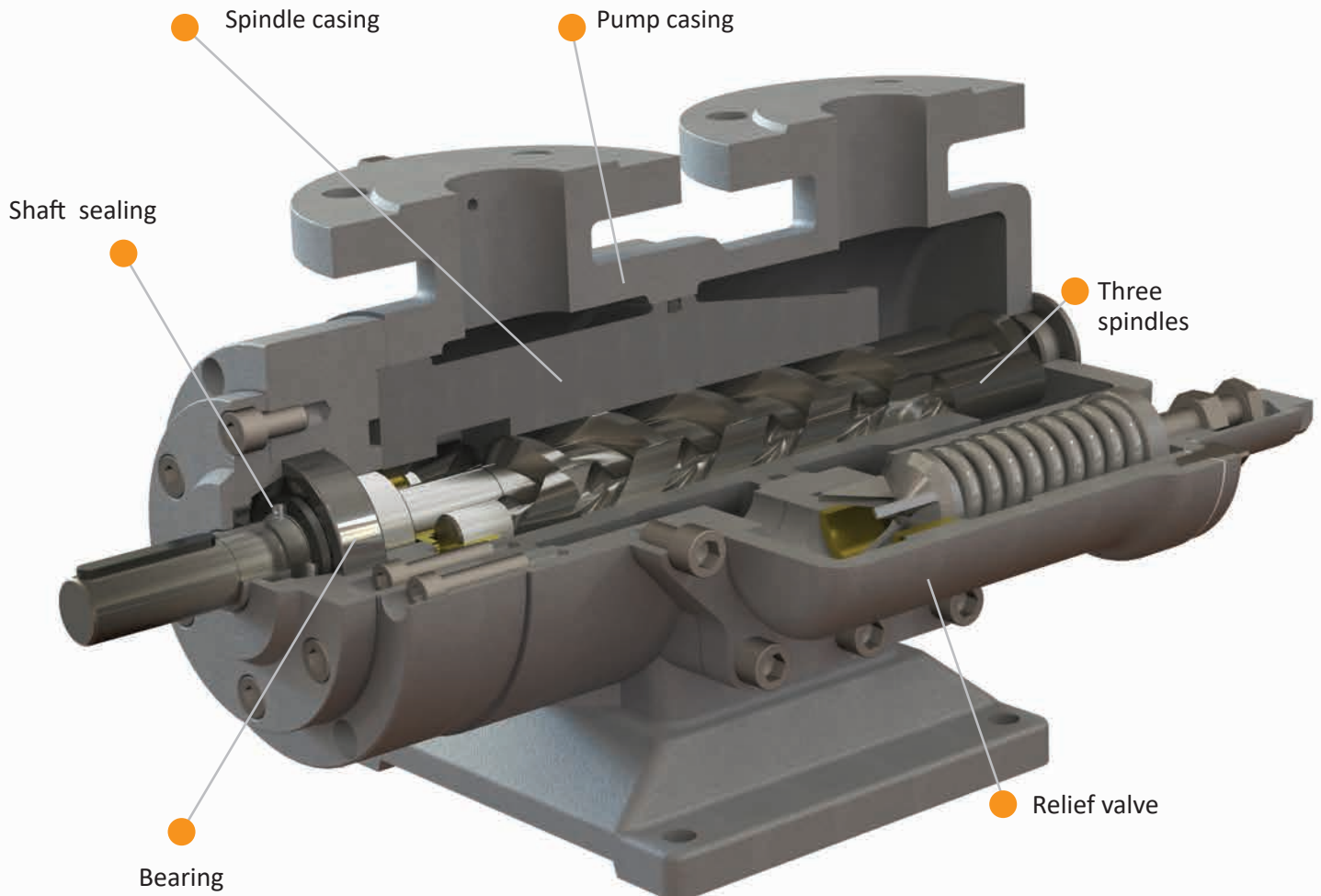
Shaft sealing is standard with shaft lip seal rings, mechanical seals available on demand, the seal chamber is connected to pump inlet so the seals work on lower pressure, seals material combination depends on working fluid and temperature.

### Spindle casing

Replacable casing in various material executions.

### Three spindles

The spindles are hardened and ground.



### Pump casing

Robust pump casing design, execution with jacketed casing for steam or head conveyor available in fabricated steel design.

### Bearing

Roller bearings lubricated by the working fluid, in case of external bearing executions lubrication by means of grease with grease nipple.

### Relief valve

Adjustable pressure relief valve for overload protection, in case of pump without relief valve there must be overpressure protection provided on other way.

### Technical data:

- Capacity: up to 4200 l/min;
- Head: up to 60 bar;
- Pump size: up to DN 200;
- Temperature: up to 140°C.